

# Pressure gauge with Bourdon tube and integrated pressure sensor

Accuracy class 1,0 %

Standard Output    **4...20 mA; 2-wire system**  
 or                    **0...20 mA; 3-wire system**  
 or                    **0...5 VDC; 3-wire system**  
 or                    **0...10 VDC; 3-wire system**

## Features

- Local Display
- Safety version to EN 837-1/S 3
- Corrosion resistant stainless steel
- Liquid filling of case to provide damping of measuring system



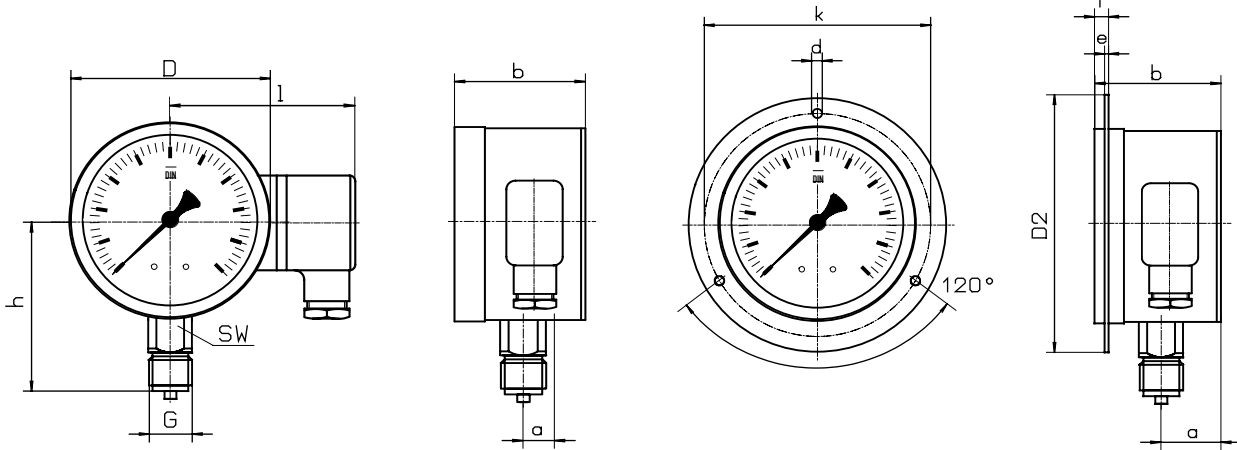
## Applications

- Chemical and petrochemical industries
- Food and beverage industries
- General mechanical engineering

Model and ND	SMR-36 100	SMR-36 160
<b>Range in bar</b>	0...0,6, 1, 1,6, 2,5, 4, 6, 10, 16, 25, 40, 60, 100, 160, 250, 400, 600, 1.000 -0,6 / 0, -1 / 0, -1 / +0,6, -1 / +1,5, -1 / +3, -1 / +5, -1 / +9, -1 / +15, -1 / +24	
<b>Applications</b>	Constant load : up to full scale value Alternating load : up to 0,9 x full scale value Short time : overload capacity 1,3 x full scale value <b>short time</b>	
<b>Case</b>	<b>CrNi steel</b> with Blow out back , solid front	
<b>Bezel</b>	<b>CrNi-steel</b>	
<b>Window</b>	Laminated safety glass	
<b>Sensor element</b>	<b>CrNi-steel</b> with Thin film	
<b>Repeability</b>	< 0,05 % from full scale valuev.	
<b>Stability per year</b>	< 0,2 % full scale value in rated conditions	
<b>Electrical connection</b>	plug according to DIN 43650 with junction box	
<b>Power supply</b>	12...30 VDC (14...30 VDC for output 0...10 V)	
<b>Power consumption</b>	Output 4...20 mA: signal currency	voltage output 8 mA
<b>Temp.com.range</b>	-28...82 °C	
<b>Temp.influence</b>	0,3 % / 10 K, zero pointand measuring element	
<b>Response time</b>	< 1 ms (within 10% to 90% of full scale value)	
<b>Teperatures</b>	Medium: -20°C bis 80°C, Ambient: -25°C bis 60°C	

## Dimensions and Design

Connection bottom



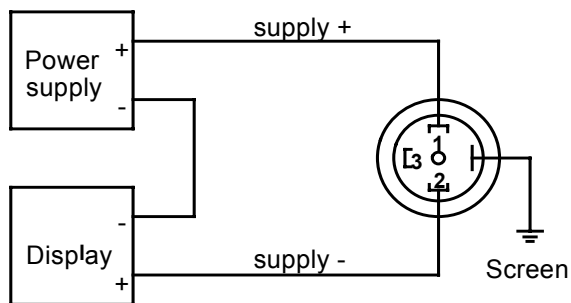
front flange

front flange

Dimensions in mm														
Model	NG	D	a	b	l	h		D2	e	f	k	d	sw	G
SMR-36	100	101	27	60	88	86		132	2	6	116	5	22	G 1/2 B
SMR-36	160	160	34	69	118	118		195	3	8	178	5,6	22	G 1/2 B

## Electrical connection

Two - wire system



Three - wire system

