

Precision test gauges with Bourdon tube in industry and stainless steel version

Nominal size ND 160 mm
Accuracy class 0,6

according to DIN EN 837-1

Features

- accuracy class 0,6
- window with glass lens
- knife edge pointer
- high reliability and long service life

Applications

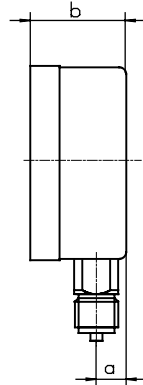
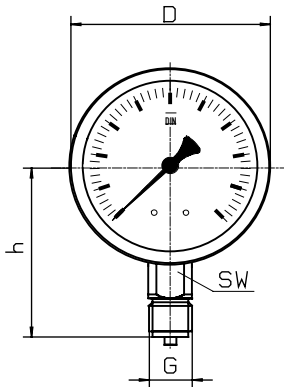
- Precision monitoring in processing plants
- Test equipment laboratory



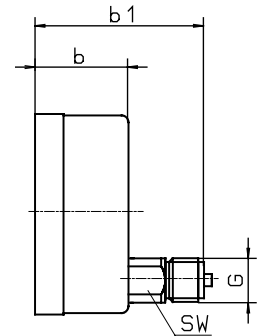
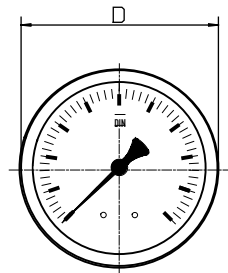
| | Industry version | | Stainless steel | |
|---------------------|--|----------------|--|----------------|
| Model and ND | MRF-20 160 | MRF-25 160 | MRF-30 160 | MRF-35 160 |
| Connection | bottom | back eccentric | bottom | back eccentric |
| Ranges in bar | 0...0,6, 1, 1,6, 2,5, 4, 6, 10, 16, 25, 40, 60, 100, 160, 250, 400, 600, 1.000, 1.600 -0,6 / 0, -1 / 0, -1 / +0,6, -1 / +1,5, -1 / +3, -1 / +5, -1 / +9, -1 / +15 | | | |
| Application | Constant load : up to full scale value Alternating load: up to 0,9 x full scale value Short-time: overload capacity 1,3 x full scale value | | | |
| Case | Steel black with blow out | | CrNi steel with blow out | |
| Bezel | Steel black | | CrNi steel | |
| Window | Glas lens | | Lamineted safety glass | |
| Dial | Aluminium white, scale and imprint black to DIN 16109 | | | |
| Pointer | Knife edge pointer aluminium black | | | |
| Movement | CuZn-alloy | | CrNi steel | |
| Measuring element | CuZn-alloy to 40 bar with bourdon tube from 60 bar st. steel helical tube | | CrNi steel ,to 40 bar with bourdon tube ,from 60 bar helical tube | |
| Temperature drift | 0,3 % pro 10 K deviation from normal temperature 20 °C | | | |
| Calibration medium | up to 10 bar gas, from 16 bar oil | | | |
| Pressure connection | SW 22, CuZn-alloy up to 1.000 bar | | SW 22, CrNi steel | |
| Connectionthread | G 1/2 B | | | |
| Protection | IP 54 to EN 60529 / IEC 529 | | | |
| Temperatures | Medium: -20°C bis 80°C, ambient: -20°C bis 60°C | | | |
| Weight | 1,0 kg | | | |

Dimensions

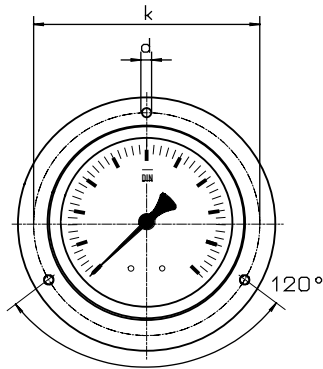
Connection bottom



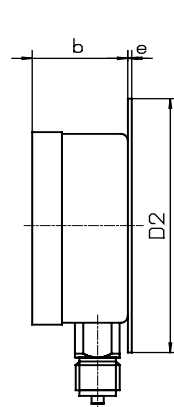
Connection back , eccentric



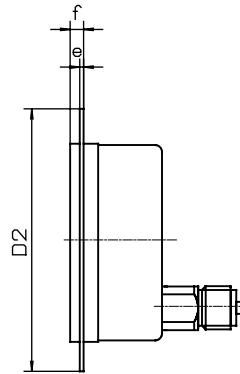
Front / rear mounting flange



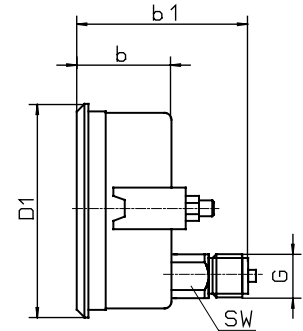
rear mounting flange



front flange



with triangle bezel
bezel a. U-clamp



| Dimensions in mm | | | | | | | | | | | | | | |
|------------------|-----|-----|----|----|----|-----|-----|-----|---|---|-----|-----|----|---------|
| Model | NG | D | a | b | b1 | h | D1 | D2 | e | f | k | d | sw | G |
| MRF-20 | 160 | 160 | 15 | 51 | - | 118 | - | 196 | 3 | 8 | 178 | 5,6 | 22 | G 1/2 B |
| MRF-25 | 160 | 160 | - | 51 | 86 | - | 166 | 196 | 3 | 8 | 178 | 5,6 | 22 | G 1/2 B |

Modelspecification

