

## Pressure gauge with diaphragm Industry version with or without filling

Nominal size ND 100 , 160  
Accuracy class 1,6 and 2,5

according to DIN EN 837-3

### Features

High resistance to overpressure  
Robust stainless steel case  
Highly suitable for extremely viscous or  
crystallizing media

### Applications

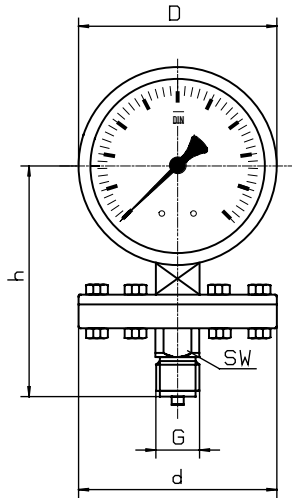
Food and beverage industries,  
Mechanical engineering, plant and  
apparatus construction ,



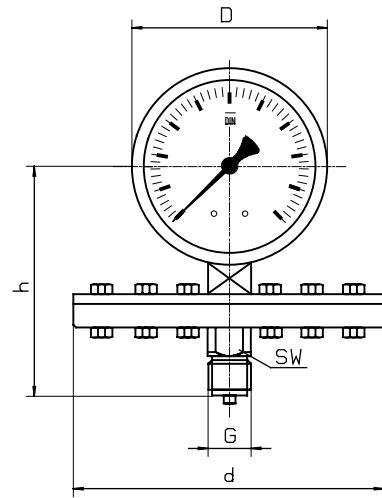
Version	with glycerine filling			
Model and ND	MP-20 100	MP-20 160	MP-20 100 F	MP-20 160 F
Connection	bottom			
Accuracy class	1,6, ranges under 600 mbar with filling only Kl. 2,5			
Ranges	in mbar		0...40, 60, 100, 160, 250	
	in bar		0...0,4, 0,6, 1, 1,6, 2,5, 4, 6, 10, 16, 25	
	in bar		-0,6 / 0, -1 / 0, -1 / +0,6, -1 / +1,5, -1 / +3, -1 / +5, -1 / +9, -1 / +15	
Application	Constant load full scale value Alternating load 0,9 x full scale value Overload protection 1,3 x full scale value short time			
Case	CrNi steel	Steel black	CrNi steel	
Bezel	CrNi steel	Steel black	CrNi steel	
Window	Glas lens			Lamineted safety glass
Dial	Aluminium white, scale black			
Pointer	Aluminium, black			
Movement	Copper alloy ,bearing parts nickel silver			
Flangediameter	160 mm up to 250 mbar, 100 mm from 0,4 bar			
Measuring element	CrNi steel, from 2,5 bar Duratherm 600			
Lower flange	SW 22, Steel zincing			
Connection	G 1/2 B and DIN-flange DN 15, 20, 25 and 50, for all PN 40			
Protection	IP 54 according to EN 60529 / IEC 529		IP 54 according to EN 60529 / IEC 529	
Temperatures	Medium: -20°C to 100°C, Ambient: -25°C to 60°C			

## Dimensions

Flange 100 mm



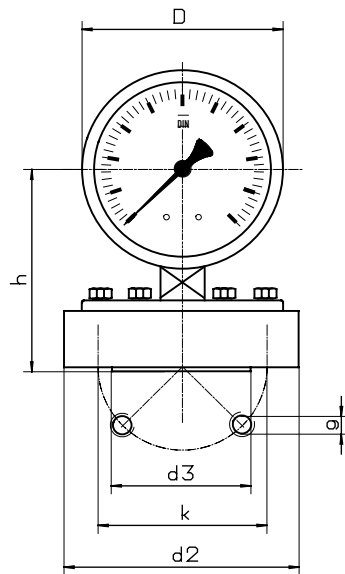
Flange 160 mm



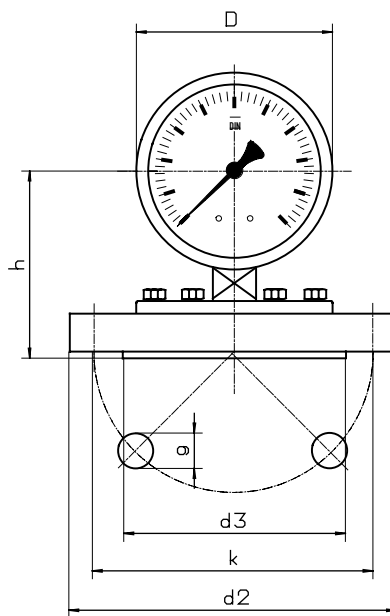
### Flange according to DIN

Flange 100 mm

DN 25

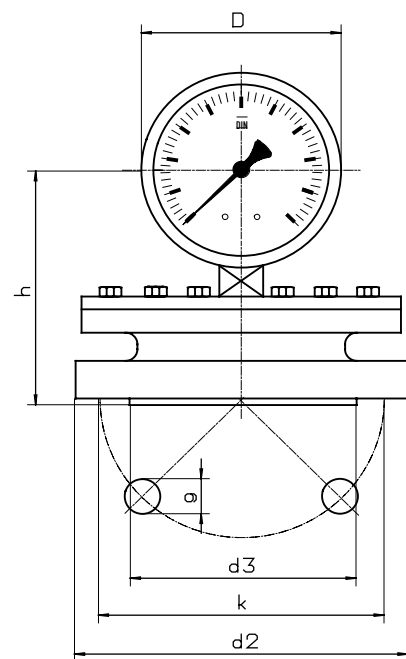


DN 50



Flange 160 mm

DN 50



### Modelspecification

Model  
MP-2

Connection  
0

bottom = 0

Filling

F or -

with filling = F  
without filling =

Nominal size

100 or 160

Case ND 100 = 100  
Case ND 160 = 160

Range

f.e. 10 bar

after rangespecification  
or direkt 10 bar

Options

for example  
f.e. DIN-flange DN 50

**Dimensionstable lock at data sheet M 590**

# Contact pressure gauges with diaphragm Industry version , with or without filling

Nominal size 100 , 160  
Accuracy class 1,6 and 2,5

according to DIN EN 837-3

## Features

High resistance to overpressure  
Robust stainless steel case  
Highly suitable for extremely viscous or crystallizing media

## Applications

Food and beverage industries,  
Mechanical engineering, plant and apparatus construction ,



Version	with silicon oil filling			
Model and ND	KMP-20 100	KMP-20 160	KMP-20 100 F	KMP-20 160 F
Connection	bottom			
Accuracy class	1,6, ranges under 600 mbar with filling only Kl. 2,5			
Ranges	in mbar 0...60, 100, 160, 250, 400 in bar 0...0,6, 1, 1,6, 2,5, 4, 6, 10, 16, 25 in bar -0,6 / 0, -1 / 0, -1 / +0,6, -1 / +1,5, -1 / +3, -1 / +5, -1 / +9, -1 / +15			
Application	Constant load full scale value Alternating load 0,9 x full scale value Overload protection 1,3 x full scale value short time			
Case	CrNi steel	Steel black	CrNi steel	
Bezel	CrNi steel	Steel black	CrNi steel	
Window	Polycarbonat			
Dial	Aluminium white, scale black			
Pointer	Aluminium, black			
Movement	Copper alloy ,bearing parts nickel silver			
Flangediameter	160 mm up to 250 mbar, 100 mm from 0,4 bar			
Measuring element	CrNi steel , from 2,5 bar Duratherm 600			
Lower flange	SW 22, Steel zincing			
Connection	G 1/2 B and DIN-flange DN 15, 20, 25 and 50, for all PN 40			
Protection	IP 54 according to EN 60529 / IEC 529		IP 65 according to EN 60529 / IEC 529	
Temperatures	Medium: -20°C to 100°C, Ambient: -25°C to 60°C			
Informations over magnet snap action contact and inductive contact see data sheets M 950 and 960				

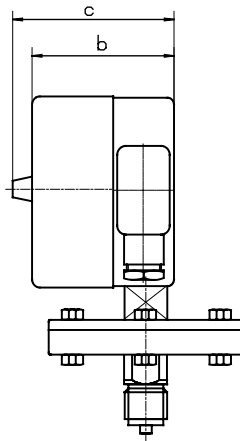
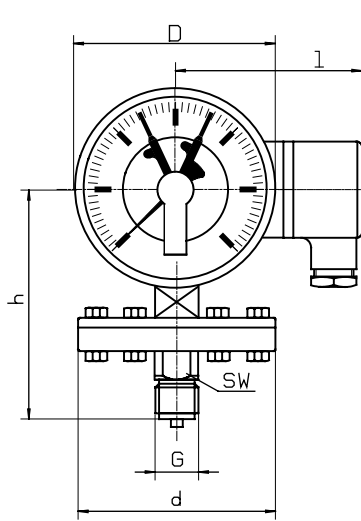
SUCHY MESSTECHNIK

Garnsdorfer Hauptstraße 116, D-09244 Lichtenau Telefon: 037208/66580 Fax: 037208/66582  
e-Mail: suchy@suchy-messtechnik.de

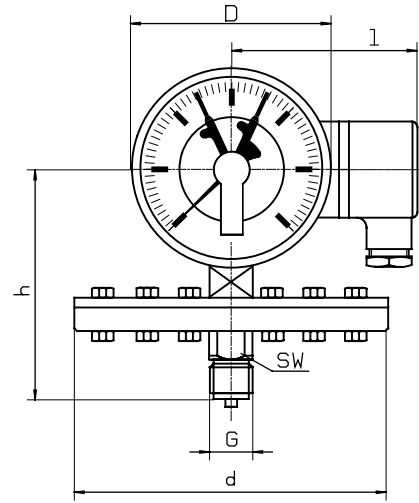
Data sheet M 520 01

## Dimensions

Flange 100 mm



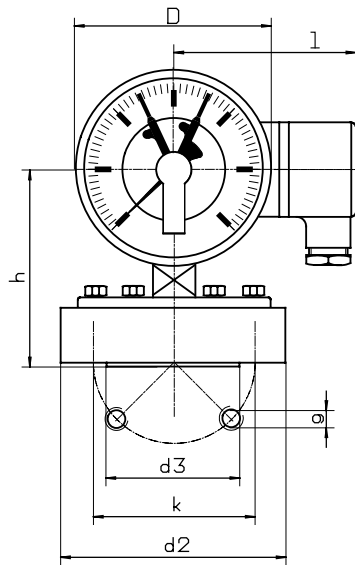
Flange 160 mm



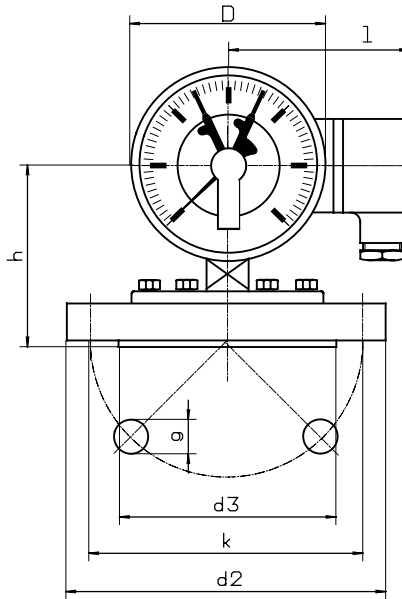
### Flange according to DIN

Flange 100 mm

DN 25

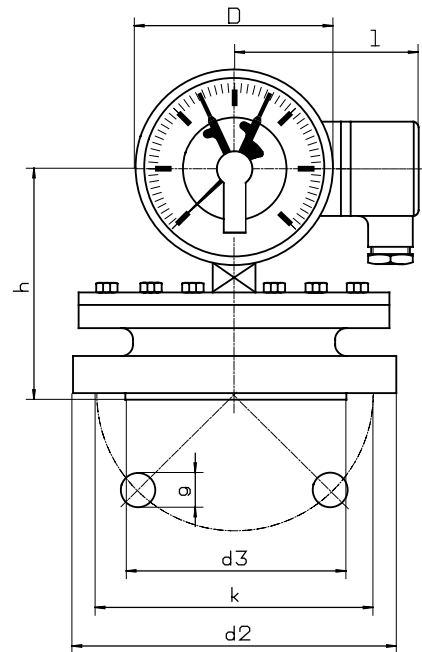


DN 50



Flange 160 mm

DN 50



### Modelspecification

Model  
KMP-2

Connection  
0

bottom = 0

Filling  
F or -

with filling = F  
without filling =

Nominal size  
100 or 160

Case ND 100 = 100  
Case ND 160 = 160

Range  
f.e. 10 bar

Contact after specification

Options  
f.e. M 12

Contact closes/opens  
other versions  
f.e. DIN flange DN 50

after rangespecification  
or direkt 10 bar

**Dimensionstable lock at data sheet M 590**

# Pressure gauges with diaphragm Stainless steel , with or without filling

Nominal size ND 100 , 160  
Accuracy class 1,6 and 2,5

according to DIN EN 837-3

### Features

- High resistance to overpressure
- High corrosion resistance with chemically aggressive media and environments
- Damping of the indicator by glycerine filling

### Applications

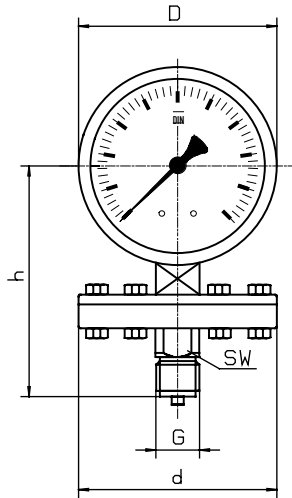
- Chemical and petrochemical industry
- Food and beverage industry
- Mechanical engineering ,plant and apparatus construction



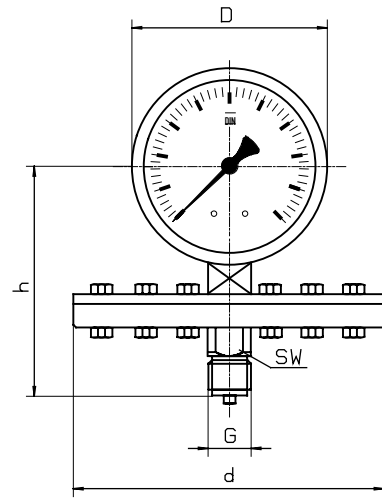
Version	with glycerin filling			
Model and ND	MP-30 100	MP-30 160	MP-30 100 F	MP-30 160 F
Connection	bottom			
Accuracy class	1,6, Ranges < 400 mbar with glycerine filling 2,5			
Ranges in mbar	0...10, 16, 25, 40, 60, 100, 160, 250		0...40, 60, 100, 160, 250	
in bar	0...0,4, 0,6, 1, 1,6, 2,5, 4, 6, 10, 16, 25			
in bar	-0,6 / 0, -1 / 0, -1 / +0,6, -1 / +1,5, -1 / +3, -1 / +5, -1 / +9, -1 / +15			
Application	Constant load full scale value Alternating load 0,9 x full scale value Overload protection 1,3 x full scale value short time			
Case	CrNi steel			
Bezel	CrNi steel			
Window	Laminated safety glass			
Dial	Aluminium white, scale black			
Pointer	Aluminium, black			
Movement	CrNi steel			
Flangediameter	160 mm up to 250 mbar, 100 mm from 0,4 bar			
Measuring element	CrNi steel , from 2,5 bar Duratherm 600			
Lower flange	SW 22, CrNi steel			
Connection	G 1/2 B and DIN-flange DN 15, 20, 25 and 50, for all PN 40			
Protection	IP 54 according to EN 60529 / IEC 529		IP 65 according to EN 60529 / IEC 529	
Temperatures	Medium: -20°C to 100°C, Ambient: -25°C to 60°C			

## Dimensions

Flange 100 mm



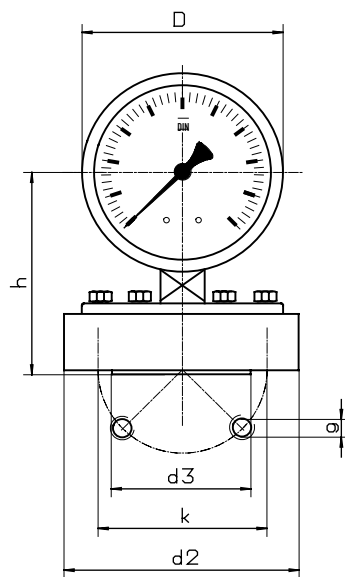
Flange 160 mm



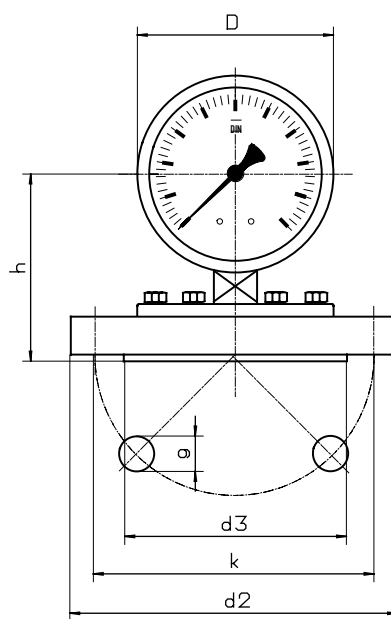
### Flange according to DIN

Flange 100 mm

DN 25

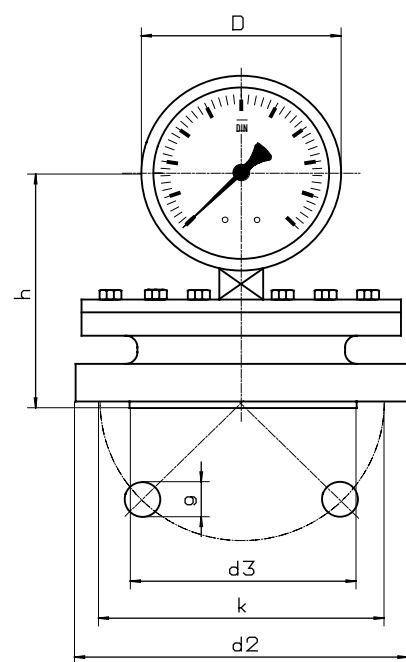


DN 50



Flange 160 mm

DN 50



### Modelspecification

Model  
MP-3

Connection  
0

bottom = 0

Filling

F or -

with filling = F  
without filling =

Nominal size

100 or 160

Case ND 100 = 100  
Case ND 160 = 160

Range

f.e. 10 bar

after rangespecification  
or direkt 10 bar

Options

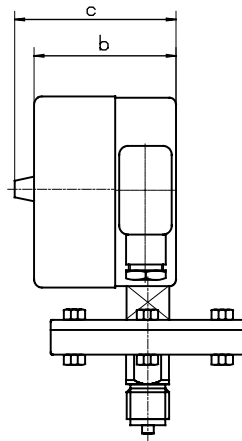
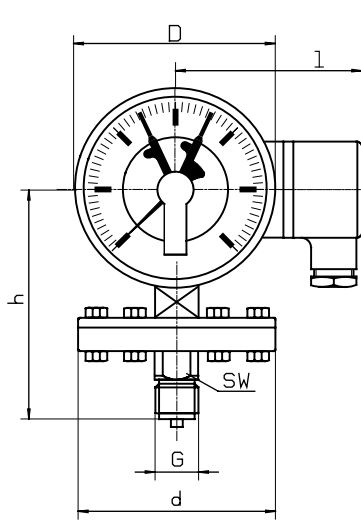
for example  
z.B. DIN-Flansch DN 50

**Dimensionstable lock at data sheet M 590**

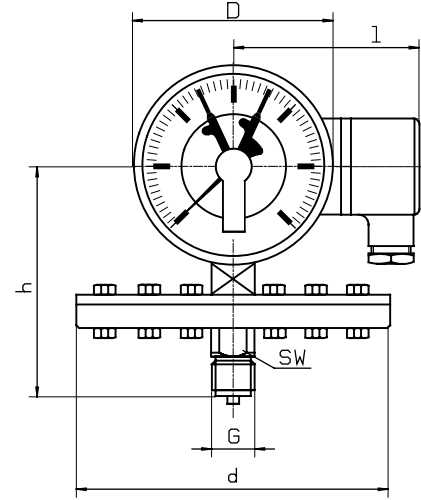


## Dimensions

Flange 100 mm



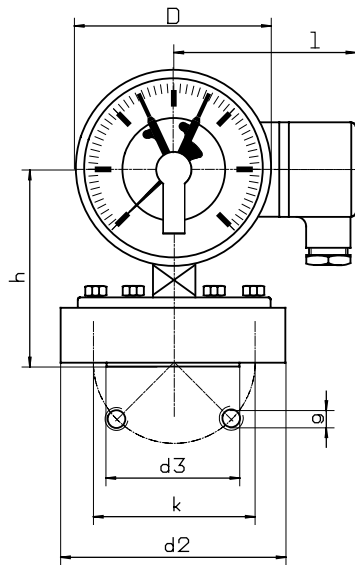
Flange 160 mm



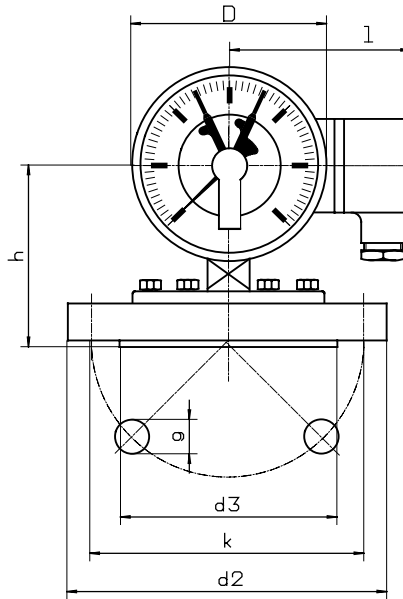
### Flange according to DIN

Flange 100 mm

DN 25

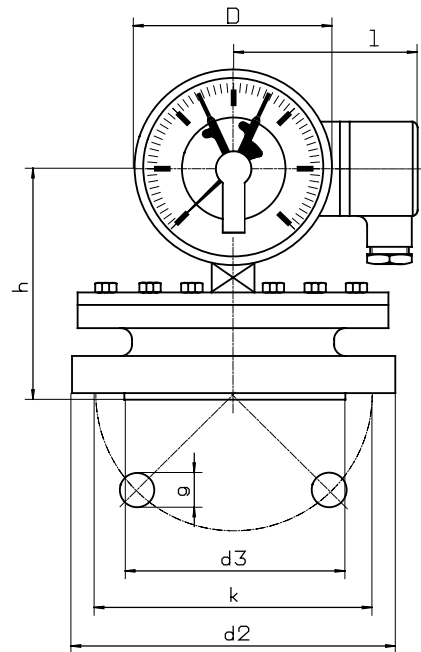


DN 50



Flange 160 mm

DN 50



### Modelspecification

**Model**  
KMP-3

**Connection**  
0

bottom = 0

**Filling**

F or -

with filling = F  
without filling =

**Nominal size**

100 or 160

Case ND 100 = 100  
Case ND 160 = 160

**Range**

f.e. 10 bar

Contact after specification

**Options**

f.e. M 12

Contact closes/opens  
other versions  
f.e. DIN flange DN 50

after rangespecification  
or direkt 10 bar

**Dimensionstable lock at data sheet M 590**